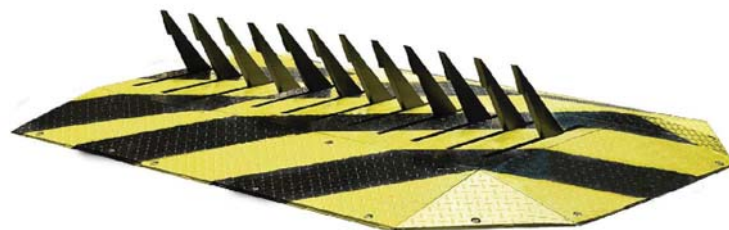


# AUTOMATIC TIRE-KILLER

## AUIA - TK - 372/373/376/377

TISO road blockers of “tire-killers” series benefit its customers with wide variety of affordable and at the same time efficient vehicle access control solutions. Among the options, you are able to make a choice of required installation type (surface of shallow/submerge mounting), one or two directional driveway control, and different spikes lengths. Options diversity enables this road blocker series to be widely applicable and versatile security solution for different projects. The concept of a built-in hydraulic unit advance this type of equipment to be suitable for projects with severe climate conditions, as well as projects which require large distances (up to 100m) between control unit and road blocker itself.



RELIABLE AND COST-EFFECTIVE SOLUTION

TO PROVIDE 100% SECURITY OF YOUR TERRITORY

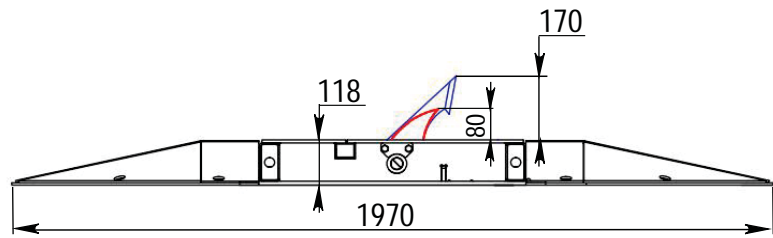
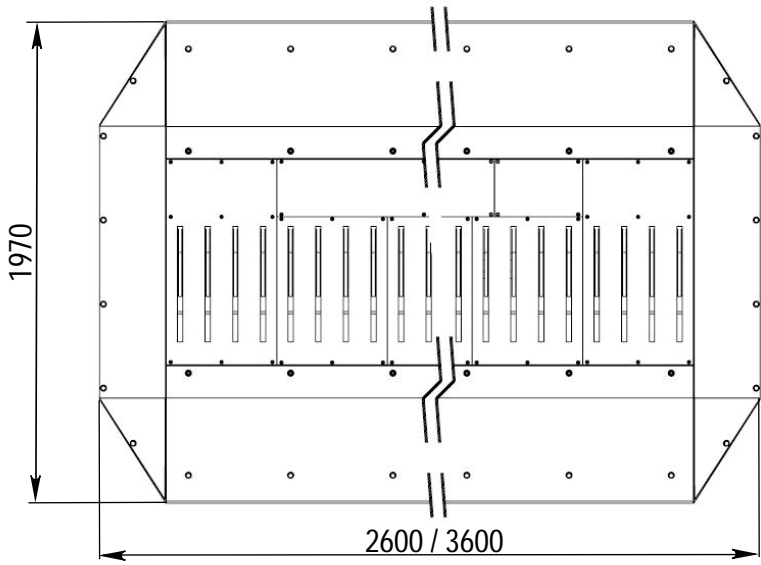
### Technical Specifications:

Model	AUIA - TK - 372	AUIA - TK - 373	AUIA - TK - 376	AUIA - TK - 377
Blocking length	2000 mm	3000 mm	2000 mm	3000 mm
Rising height	170 mm		80 mm	
Installation type	surface-mounting		shallow mounting	
Road blocker dimensions, mm	2000 x 770 x 118	3000 x 770 x 118	2000 x 770 x 118	3000 x 770 x 118
Dimensions with ramp, mm	2600 x 1970 x 118	3600 x 1970 x 118	2600 x 1970 x 118	3600 x 1970 x 118
Weight (without ramps)	440 kg	660 kg	420 kg	640 kg
Weight (with ramps)	794 kg	1190 kg	774 kg	1170 kg
Drive	Hydraulic			
Working pressure average	35 bar			
Power supply	220 V			
AC Motor power	350 W			
Maximum working frequency	100 cycles / hour			
Protection level	IP 67 for Road blocker; IP 54 for control box			
Breakout resistance	130 kJ			
Impact resistance	40 kJ			
Lowering time	1,0 s			
Rising time	1,5 s			
MCBF	2,000,000 cycles			
Operating temperatures	-20 + 70 ° C			
Control system	two channel PLC with 2x9 inputs, 2x6 outputs			



www.tisoapac.com  
+65 6256 0515  
e-mail: sales@tisoapac.com





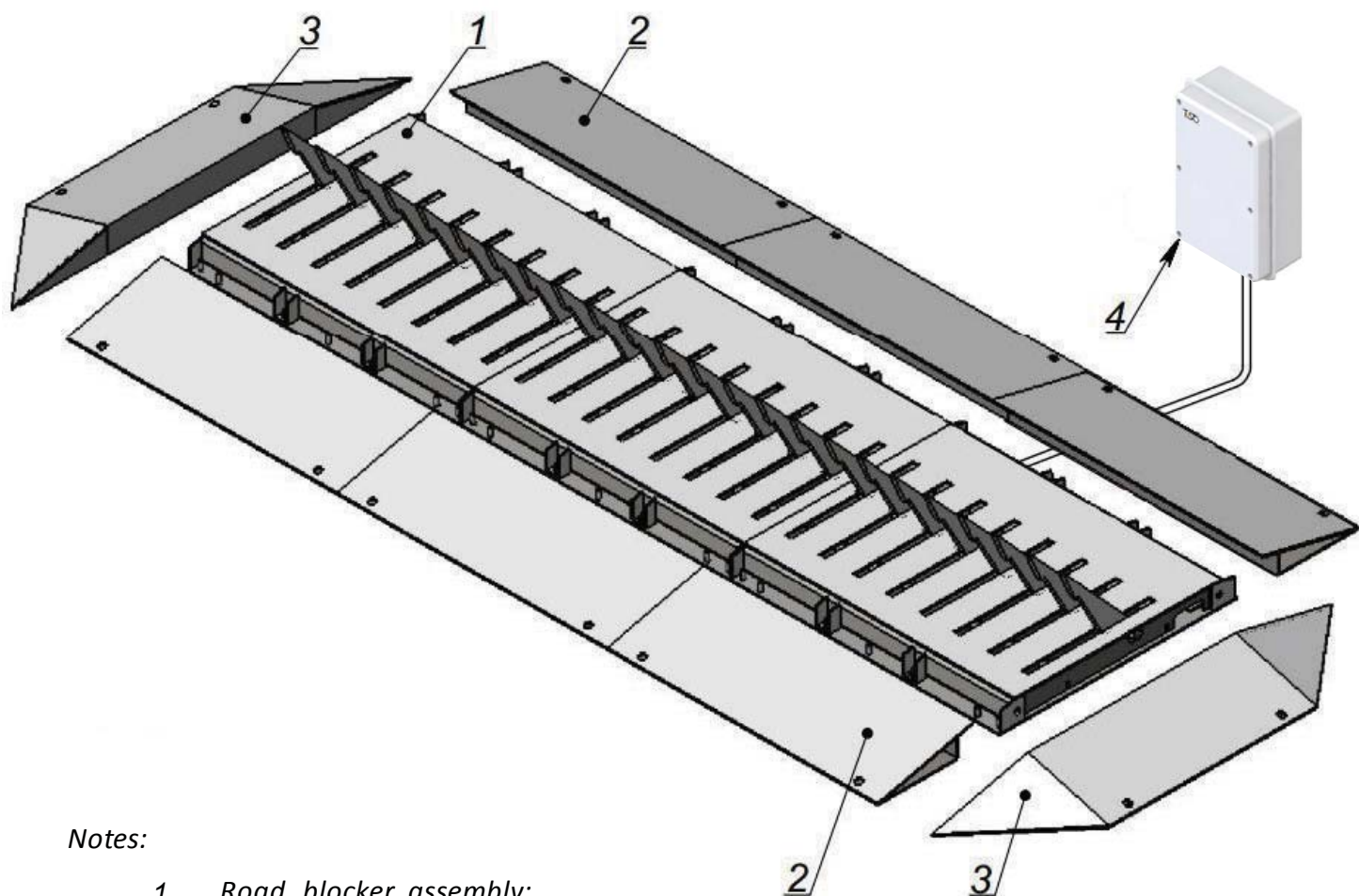
**SURFACE MOUNT**



www.tisoapac.com  
 +65 6256 0515  
 e-mail: sales@tisoapac.com

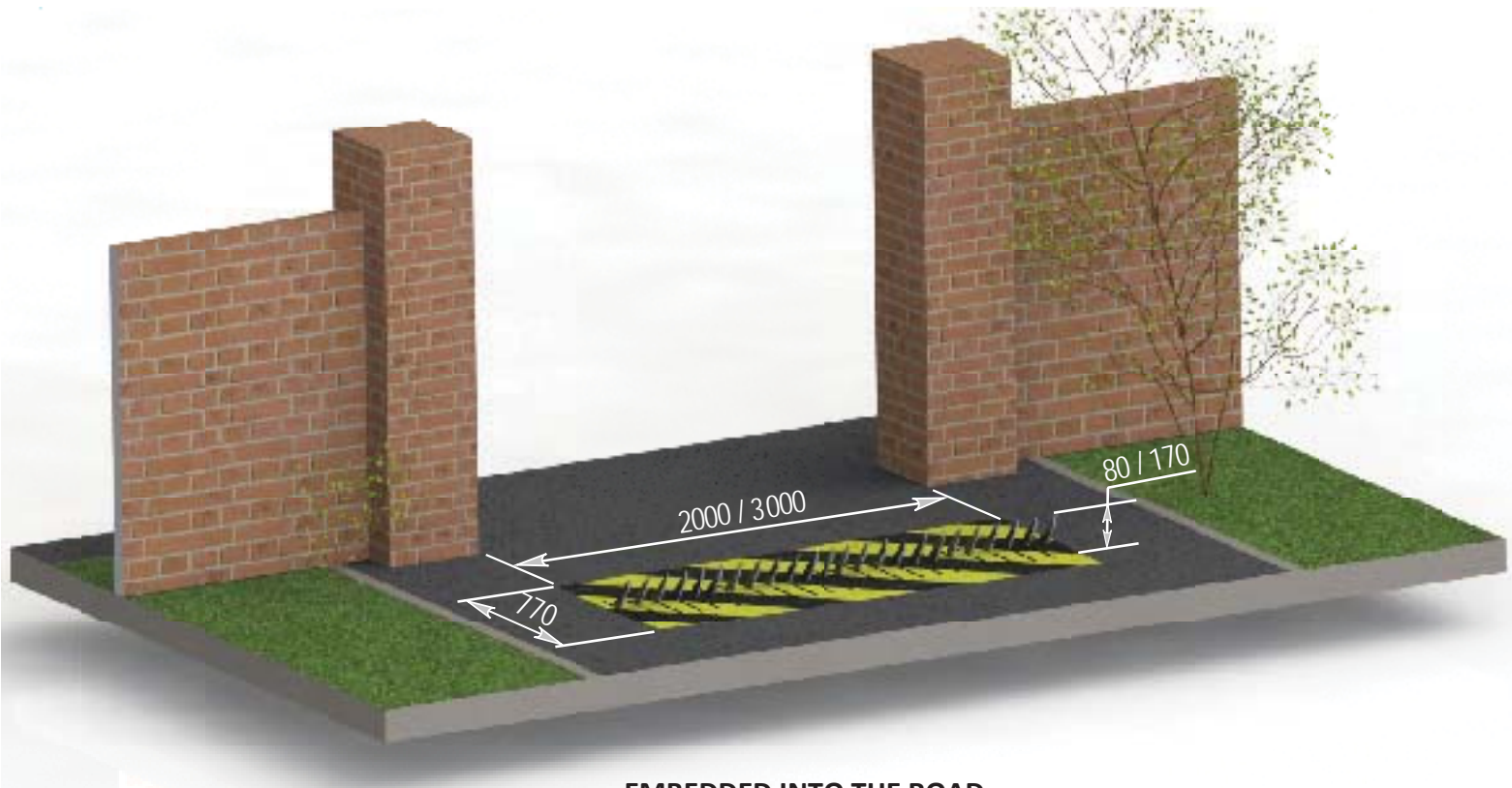
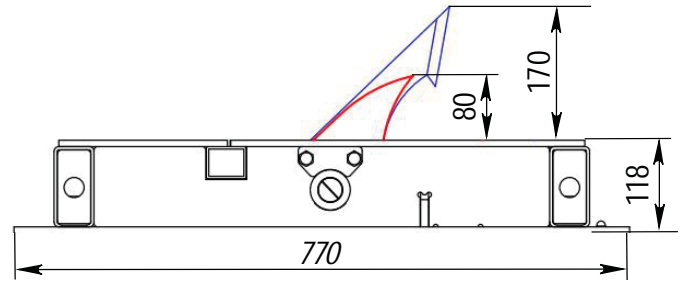
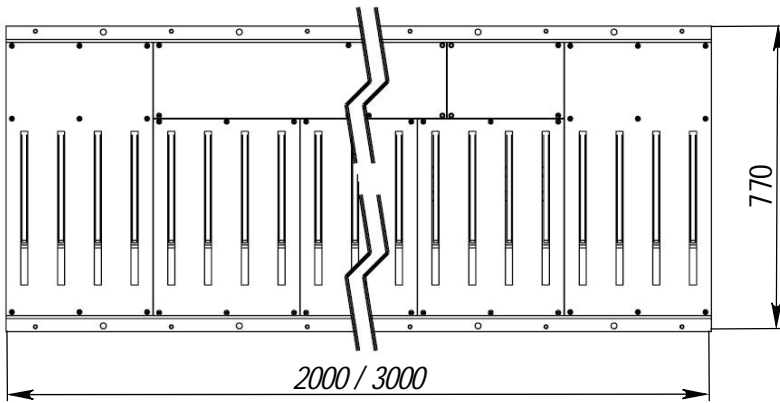


## Road Blocker. Scope of Delivery



### Notes:

1. Road blocker assembly;
2. Front ramp;
3. Side ramp;
4. Box with electronic control unit.



EMBEDDED INTO THE ROAD



www.tisoapac.com  
 +65 6256 0515  
 e-mail: sales@tisoapac.com



## Standard set characteristics:

- Anti-corrosion protection (galvanized);
- Interfaces with ACS and wide variety of security components;
- Manual lowering in case of power failure;
- Built-in hydraulic unit;
- Wired push-bottom control;
- Black/yellow or red/white warning painting.

## Accessories:

- Wireless remote control;
- Traffic light with support posts of different dimensions;
- Heating device (for climates with below 0°C temperatures);
- Detection sensors (induction loops and IR barriers);
- Sound alarm;
- Emergency fast rising operator;
- Manual pump unit;
- LED lights integrated to spikes/knives.
- Others under demand.

## Advantages:

- One and two directional driveway control;
- Spikes rising height customization;
- Installation type options.

